

SWFTLY

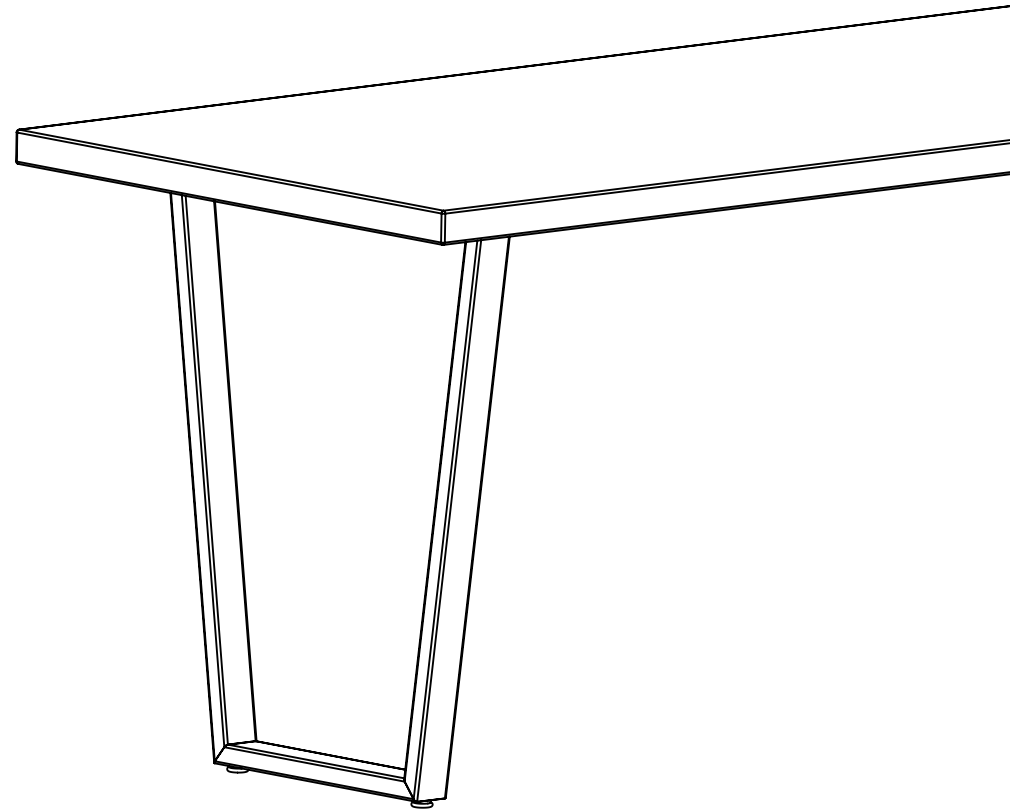
Bolt Table

Assembly Instructions

Have any questions or comments? Contact us at www.goswftly.com or call **616.546.1972**



©2022 SWFTLY | FORGED
Holland MI 49423 U.S.A.



SWFTLY

Bolt Table

How to assemble your table.

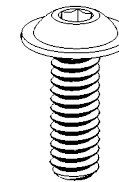
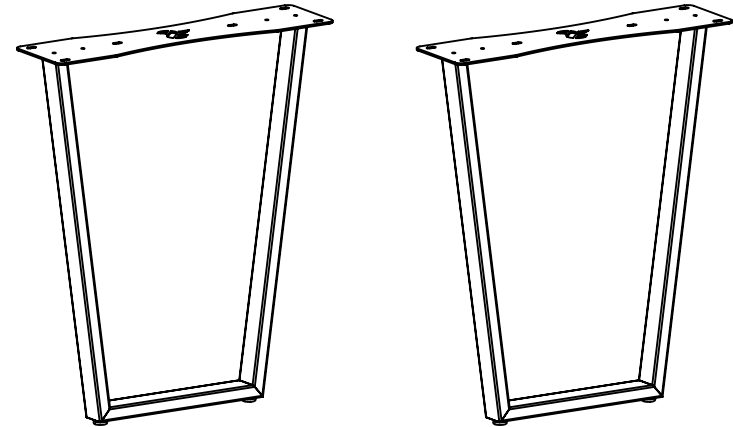
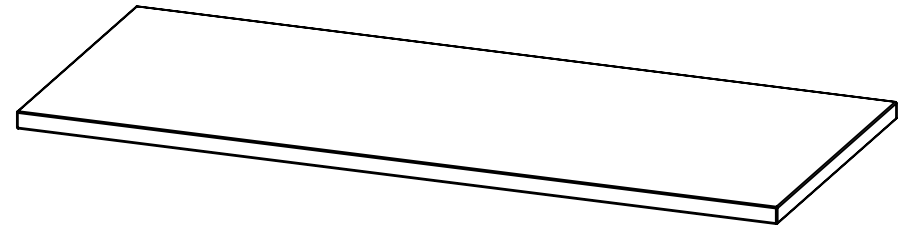
Care Instructions

- Dust with a clean, soft, lint free cloth
- Wipe liquid spills off surface with a clean cloth immediately
- We do not recommend the use of chemical cleansers, abrasives, or furniture polish on our finish

Safety Instructions & Warnings

- Read all instructions before using products
- Failure to fully tighten screws may cause injuries
- Sitting/standing on product may cause risk or personal injury
- Periodically check fasteners to ensure tightness

Parts Required

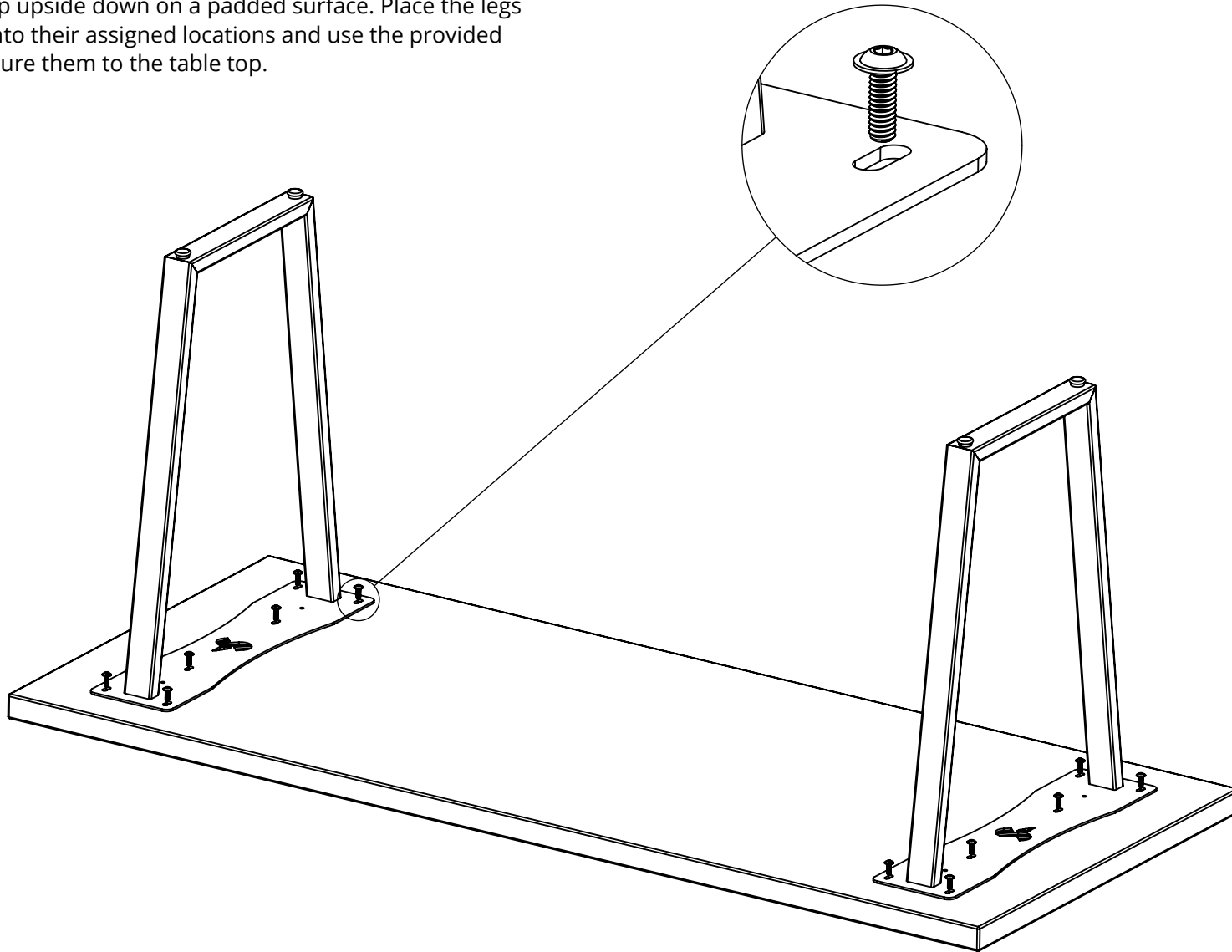


X12



Step 1

Lay the table top upside down on a padded surface. Place the legs upside down onto their assigned locations and use the provided fasteners to secure them to the table top.



Step 2

Once all of the fasteners have been checked over and tightened, the table is ready to be flipped upright and enjoyed!

