

# SWFTLY

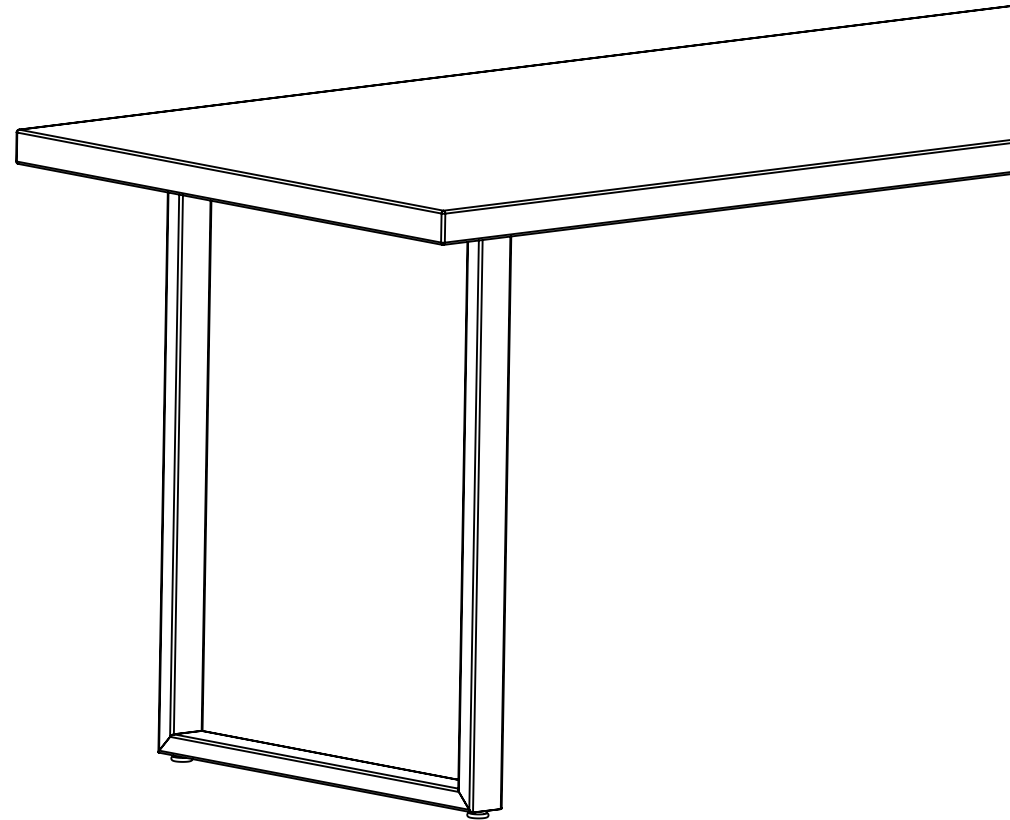
## Spring Table

### Assembly Instructions

Have any questions or comments? Contact us at [www.goswftly.com](http://www.goswftly.com) or call **616.546.1972**



©2022 SWFTLY | FORGED  
Holland MI 49423 U.S.A.



# SWFTLY

## Spring Table

How to assemble your table.

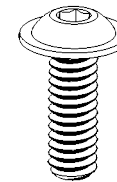
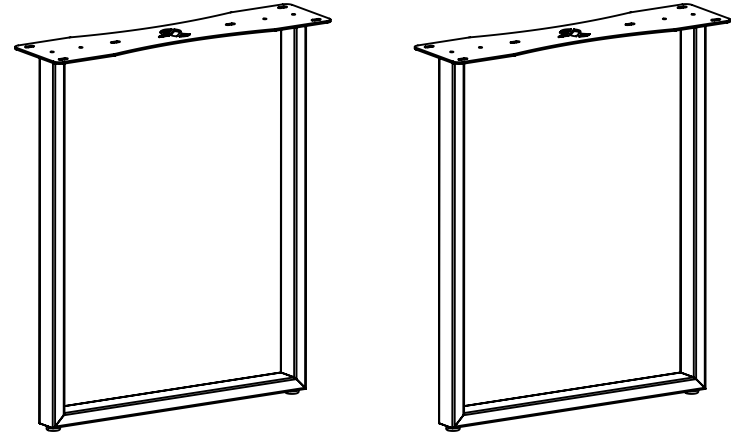
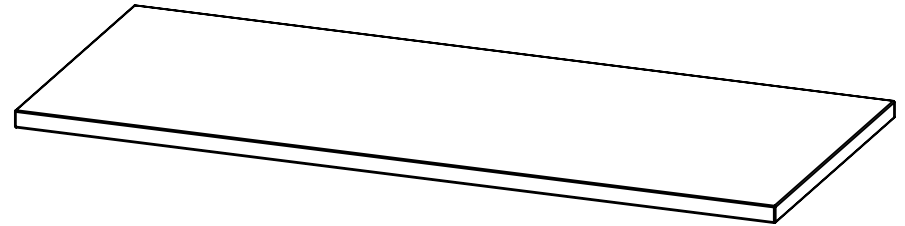
### Care Instructions

- Dust with a clean, soft, lint free cloth
- Wipe liquid spills off surface with a clean cloth immediately
- We do not recommend the use of chemical cleansers, abrasives, or furniture polish on our finish

### Safety Instructions & Warnings

- Read all instructions before using products
- Failure to fully tighten screws may cause injuries
- Sitting/standing on product may cause risk or personal injury
- Periodically check fasteners to ensure tightness

### Parts Required

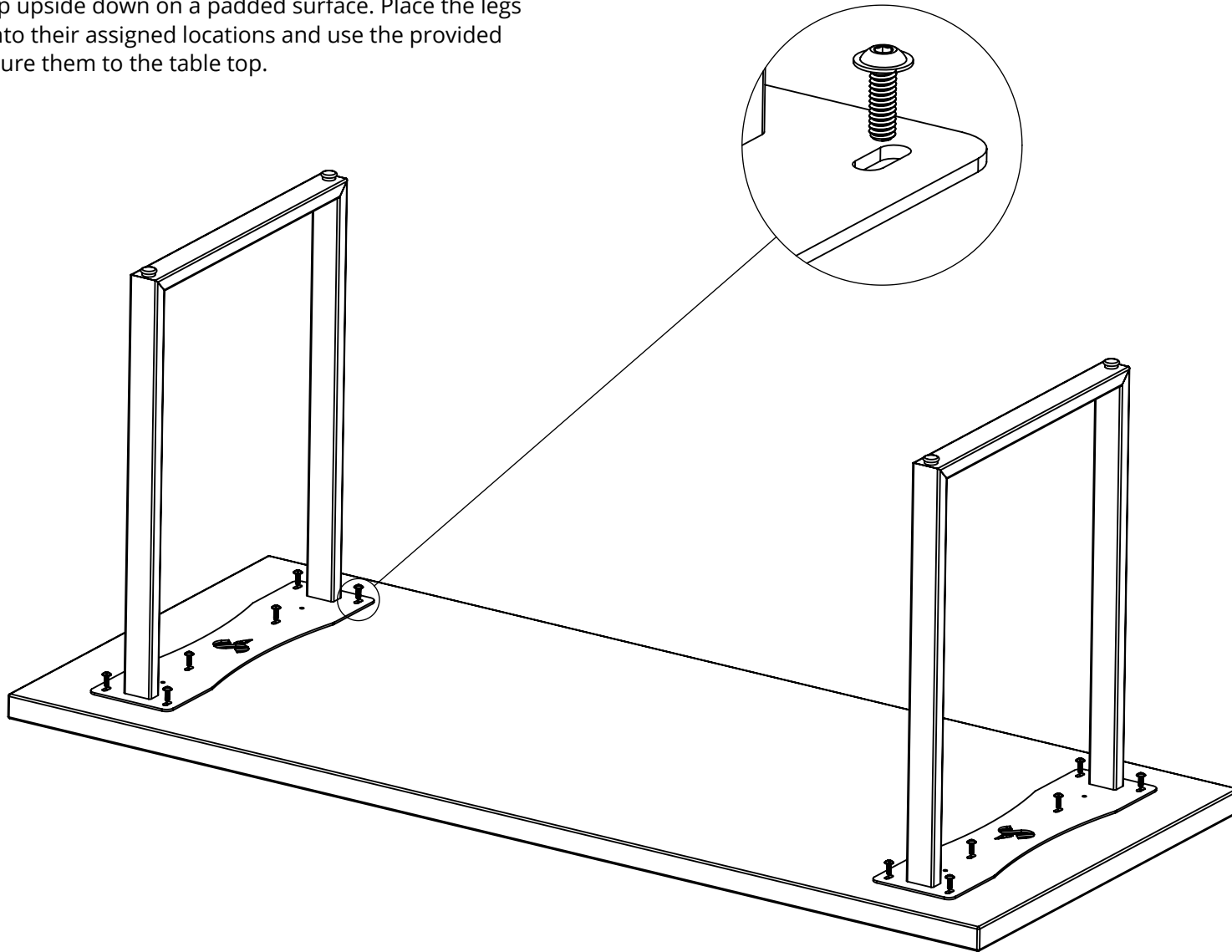


X12



**Step 1**

Lay the table top upside down on a padded surface. Place the legs upside down onto their assigned locations and use the provided fasteners to secure them to the table top.



## Step 2

Once all of the fasteners have been checked over and tightened, the table is ready to be flipped upright and enjoyed!

