



Spring



Spring

Spring's right angles are bold and sleek, feeling anything but square.

Product Detail

- Rectangle, round, or bench—you tell us the size and shape you want—all the way up to a conference table! For a custom size please contact us [here](#).
- Pick a natural wood species for the top, or opt for high-quality laminate instead.
- Choose a color for the base, building character or keeping the look classic.

Color

- We use the RAL R7 Classic color system for powder coating our steel bases. Learn more [here](#).

Wood

- Our tabletops are crafted in-house from locally-sourced varieties. Learn more and order samples [here](#).

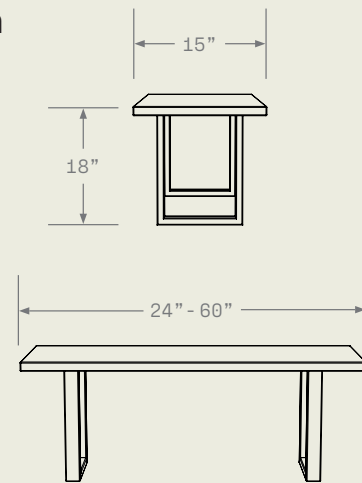
Laminate

- Tabletops can also be made with premium laminate from [Fenix](#), and [Wilsonart](#). We also source many domestic laminate brands.

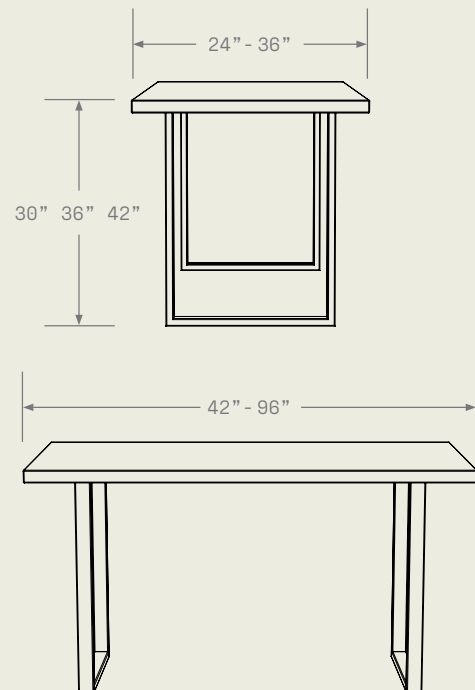
GoSWFTLY.com

SWFTLY

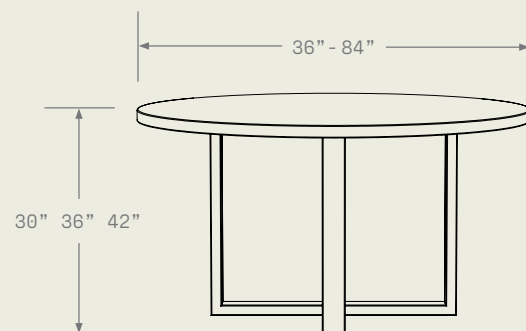
Bench



Desk/Table/Conference*



Round



*Thinking even bigger? Just get in touch for custom sizes.